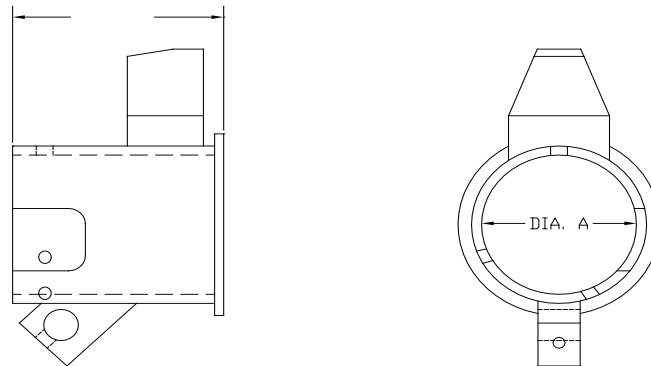




96-820018-3 (Aluminum)
104-820045-1 (Steel)
NLG RETAINER



OVERHAUL - \$985.00

Inspect - \$85.00 (Applied to Repair)

Diameter A

Diameter B

Cadmium Plate All Other Surfaces (Steel Only)

Paint – Matterhorn White

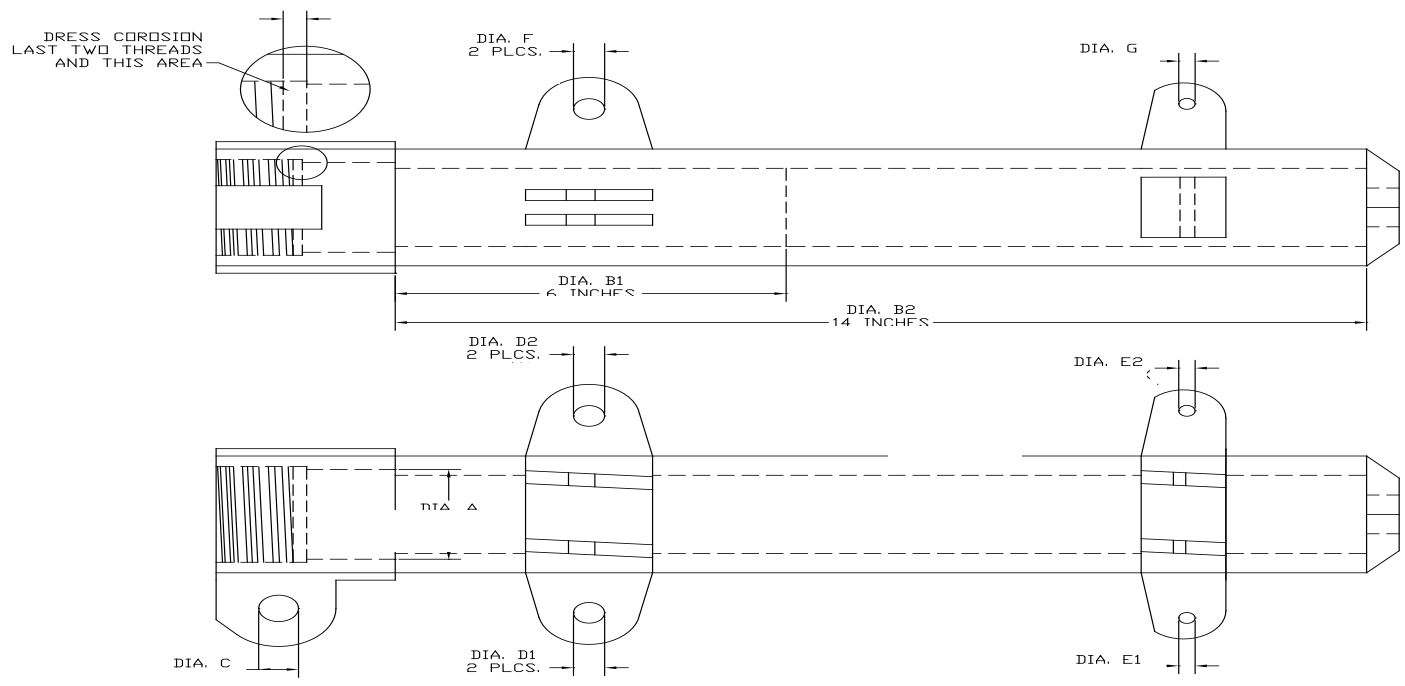
INSPECTION FEES APPLY



104-810050-1

104-810050-3

STRUT HOUSING



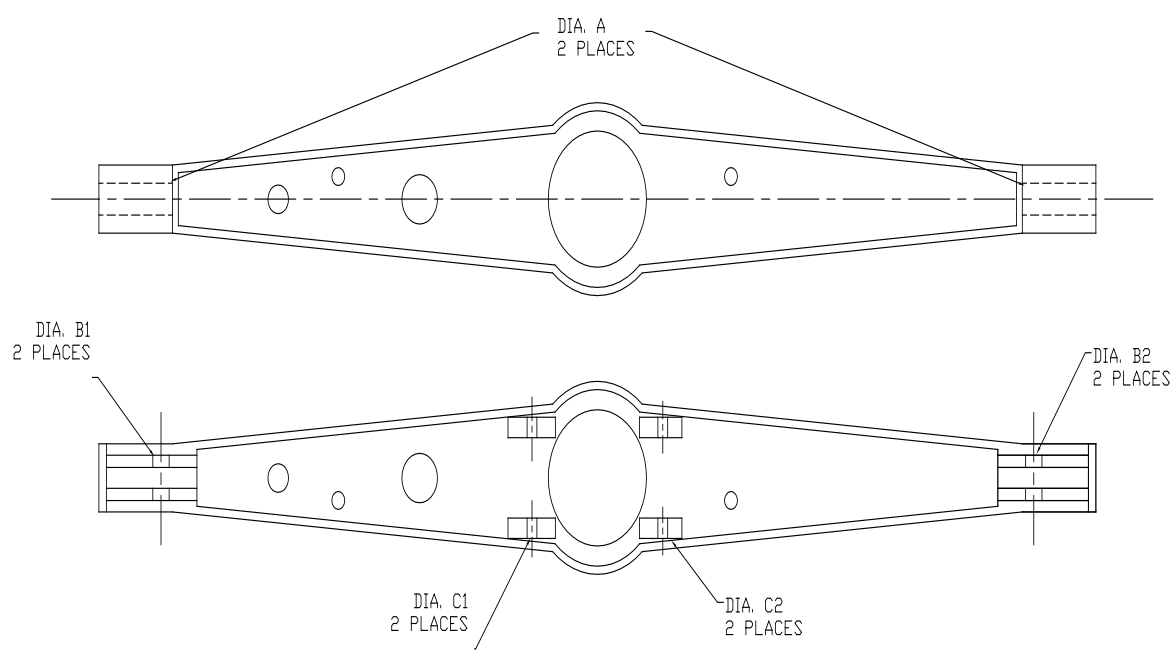
OPTIONS

- Inspect - \$85.00 (Applied to Repair)**
- Diameter E1 -**
- \$575.00 Diameter**
- E2 - \$575.00**
- Diameter F - \$650.00**
- Diameter C - \$575.00**
- Diameter D1 - \$600.00**
- Diameter D2 - \$600.00**
- Diameter G - \$650.00**
- Corrosion - T & M**
- Paint - \$150.00**

INSPECTION FEES APPLY



35-815251-15 UPPER BRACE



OPTIONS

Inspect - \$85.00 (Applied to Repair)

Diameter A - \$885.00

Diameter B1 - \$620.00

Diameter B2 - \$620.00

Diameter C1 - \$850.00

Diameter C2 - \$850.00

Paint - \$150.00

*****Diameters: C1, C2 & A done at the same time \$2,050.00*****

INSPECTION FEES APPLY